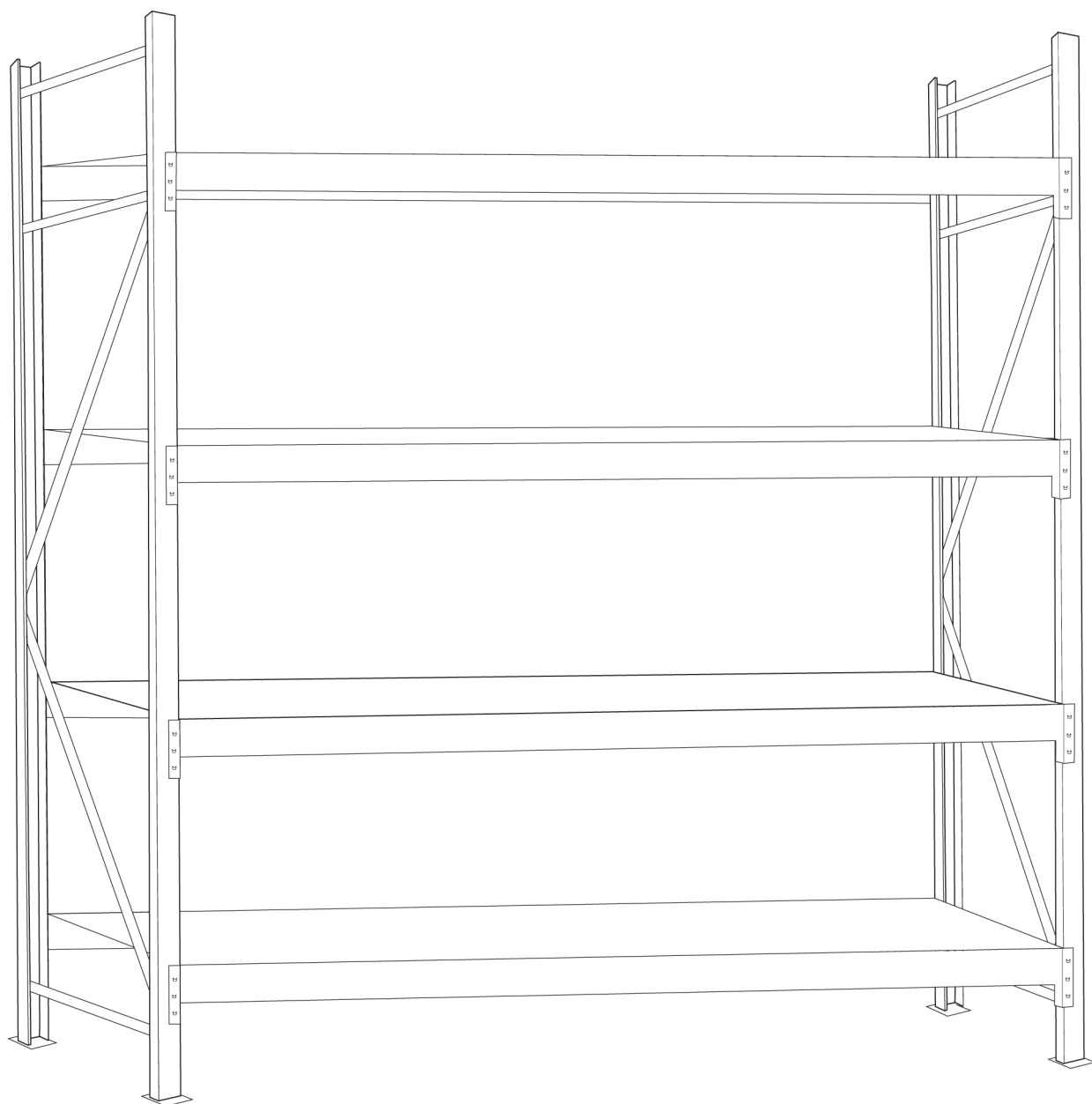
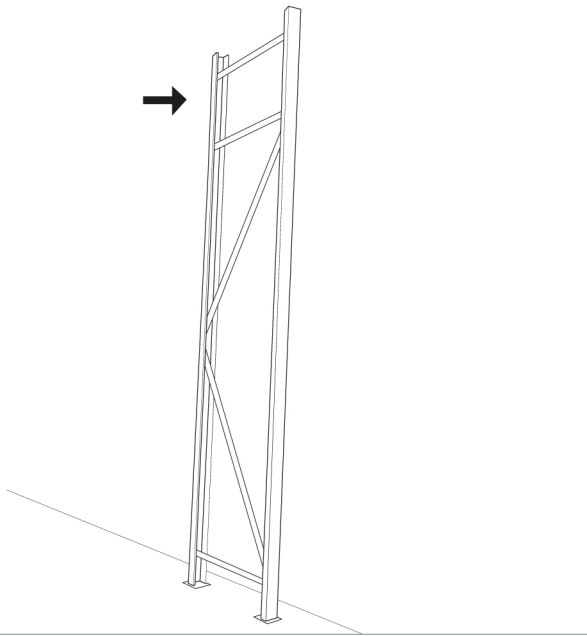


# F1 HYLDEREOL

(GB) INSTALLATION INSTRUCTIONS

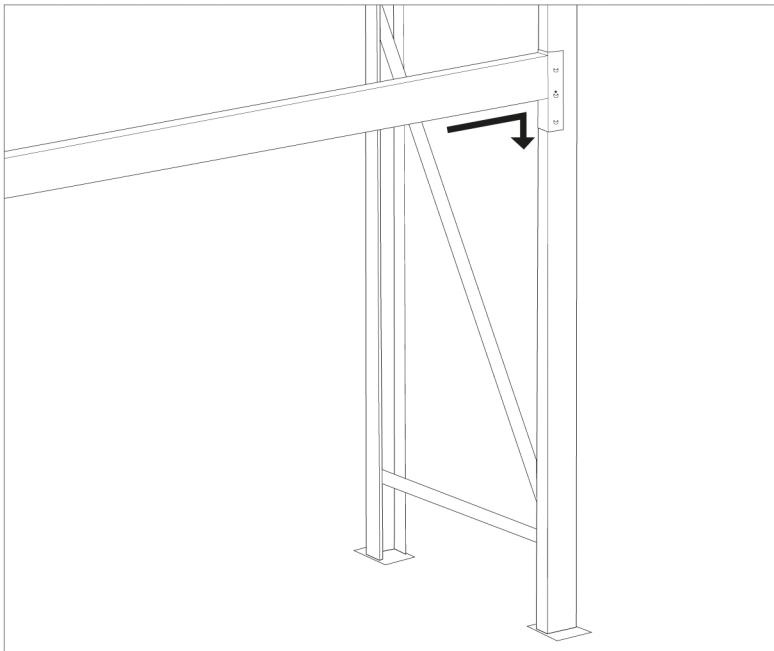
---





**1**

Place the first upright up against the wall.



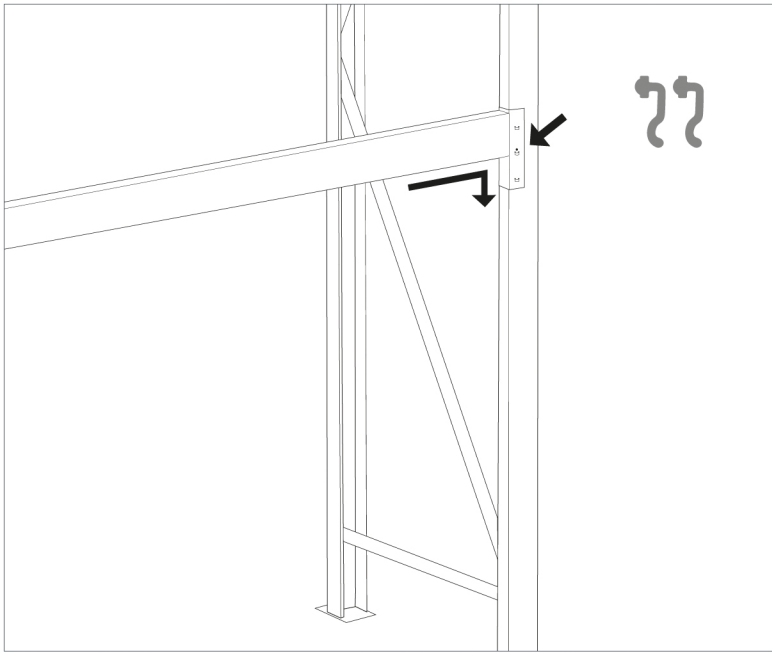
**2**

Mount the first beam approx. 40 cm above the floor.



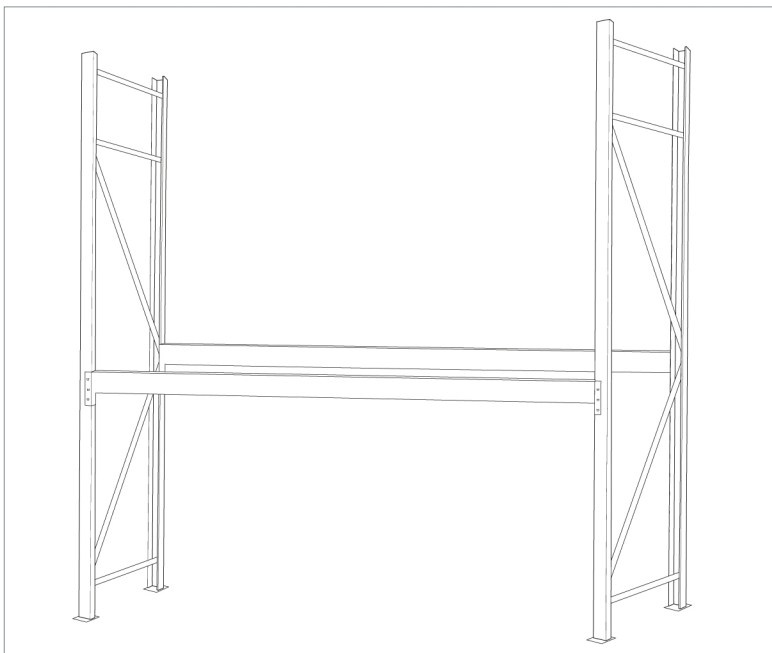
**3**

Safety clip is pressed in place.



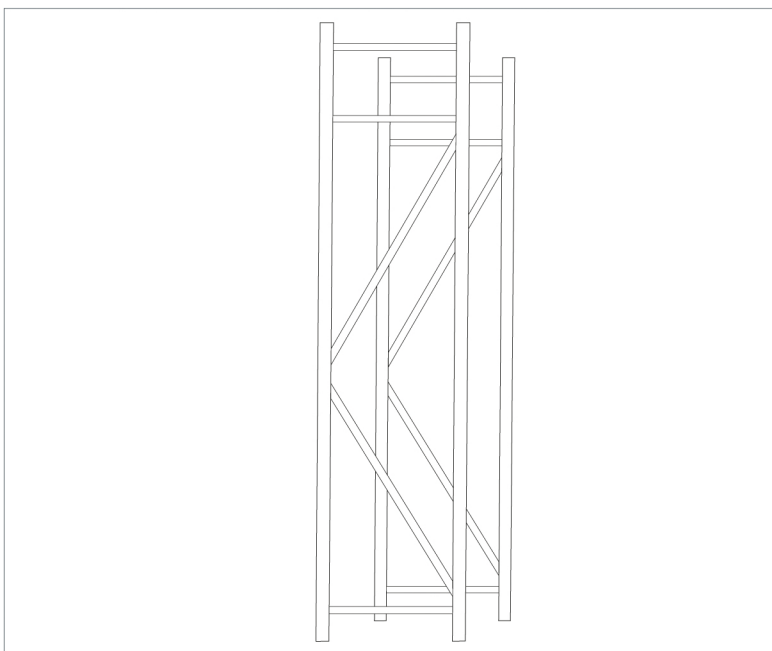
**4**

The beam is mounted to the next upright.



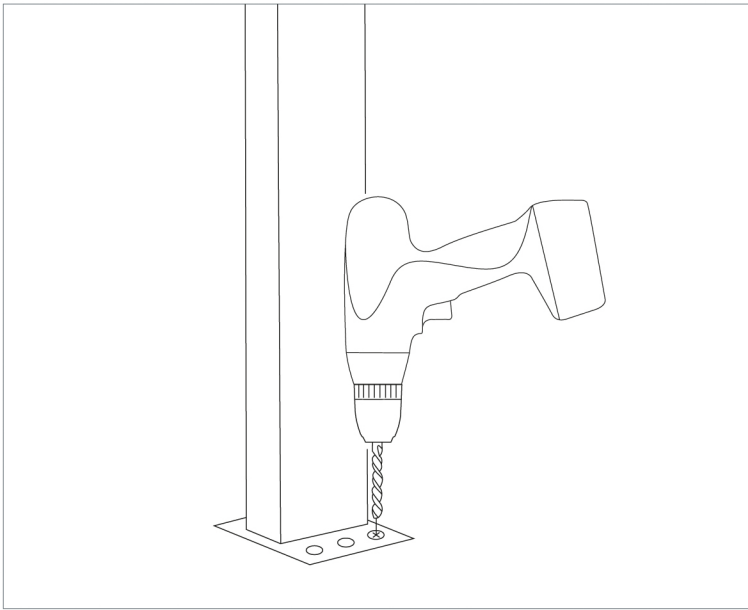
**5**

The second beam is mounted, and then repeat the process.



**6**

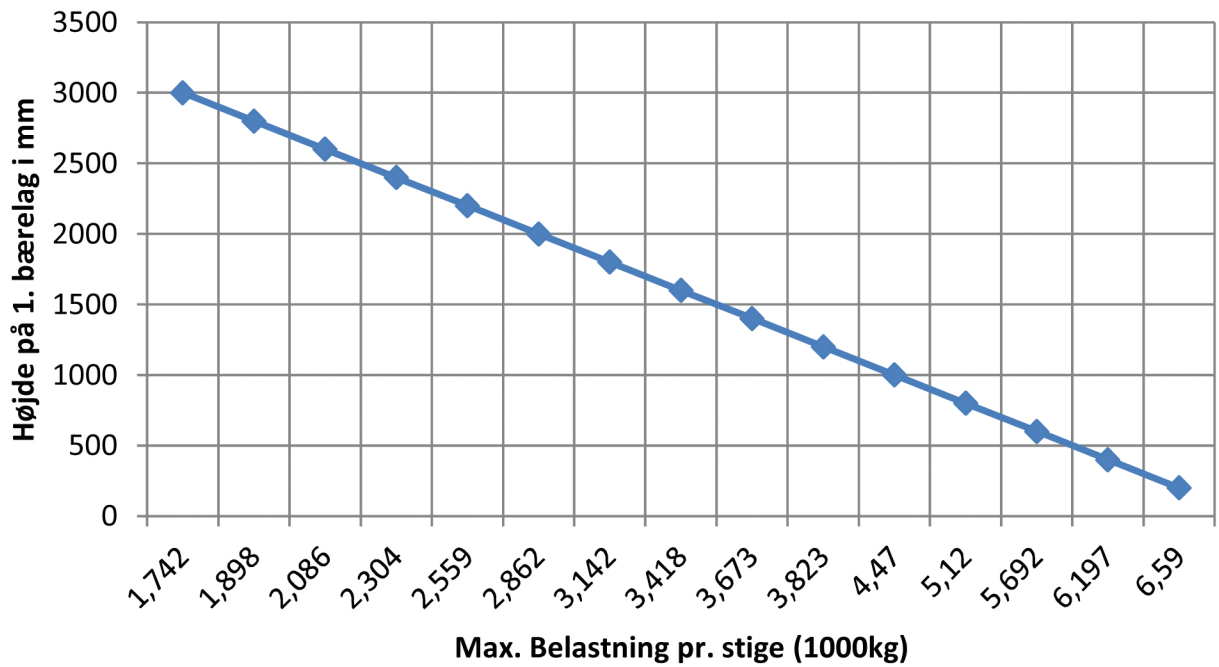
It is recommended that the uprights are placed symmetrically.



7

After the mounting is completed, the uprights are adjusted and secured with anchor bolts.

## BELASTNINGSOVERSIGT



Herover: Belastningsdiagram der viser højden på 1. bærelag kontra max. belastning pr sektion.

**IMPORTANT!** assumes no responsibility for defects or damage due to carelessness and improper use.